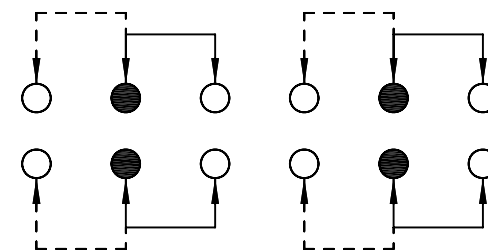
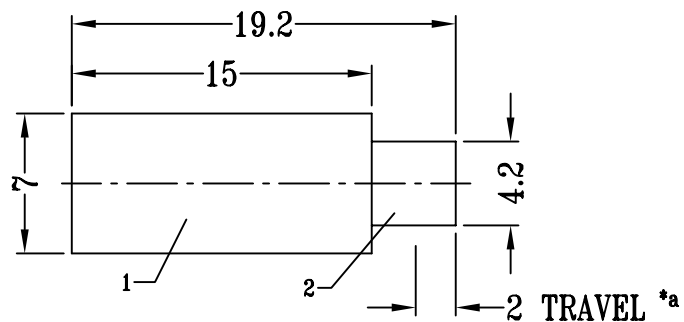
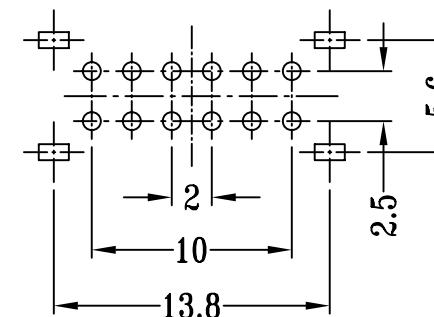
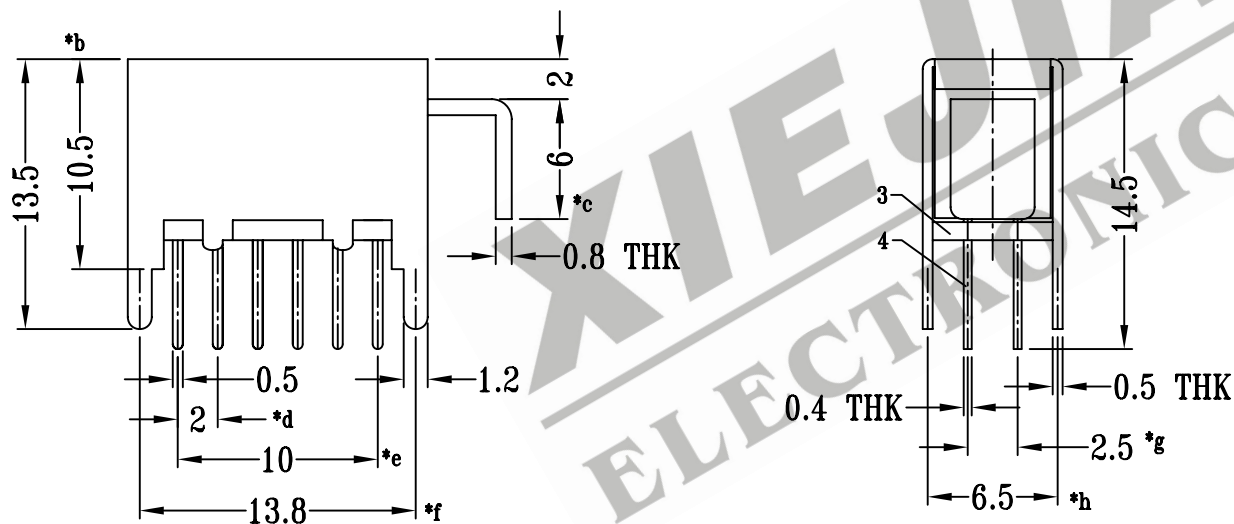


CAD FILE:



SCHEMATIC (NON-SHORTING)



P.C.B LAYOUT

注：“\*”表示关键尺寸（8个）

8					TOLERANCE	SHENZHEN XIEJIA ELECTRONICS CO.,LTD.				
7	CONTACT CLIP	PBS	4	Ag CLAD	UNLESS SPECIFIED					
6	SPRING	STEEL WIRE	1	TEMPER	WITHIN: 1.5±0.1mm	ISSUE	DATE	DESCRIPTIONS		APPD.
5	SLIDER	POM	4	BLACK	OVER : 1.5±0.2mm					
4	TERMINAL	BRASS STRIP	12	Ag PLATED OVER Ni PLATED	TITLE : PUSH SWITCH		UNIT : MM	DRWG NO.: XJ-DR-PS42D04-00		
3	BASE	PHENOLIC RESIN	1	NATURAL	MODEL: PS-42D04		SCALE: 5:2	DWN.	ZHOUYU	2003-5-21
2	KNOB	STEEL STRIP	1	Ni PLATED				CHK'D	FANGYING	2003-5-21
1	FRAME	STEEL STRIP	1	Ni PLATED	ALL MATERIALS MUST BE COMPLIANT TO ROHS		APPD.	KANGXINAN	2003-5-21	
NO.	PART NAME	MATERIAL	Q'TY	FINISHING						